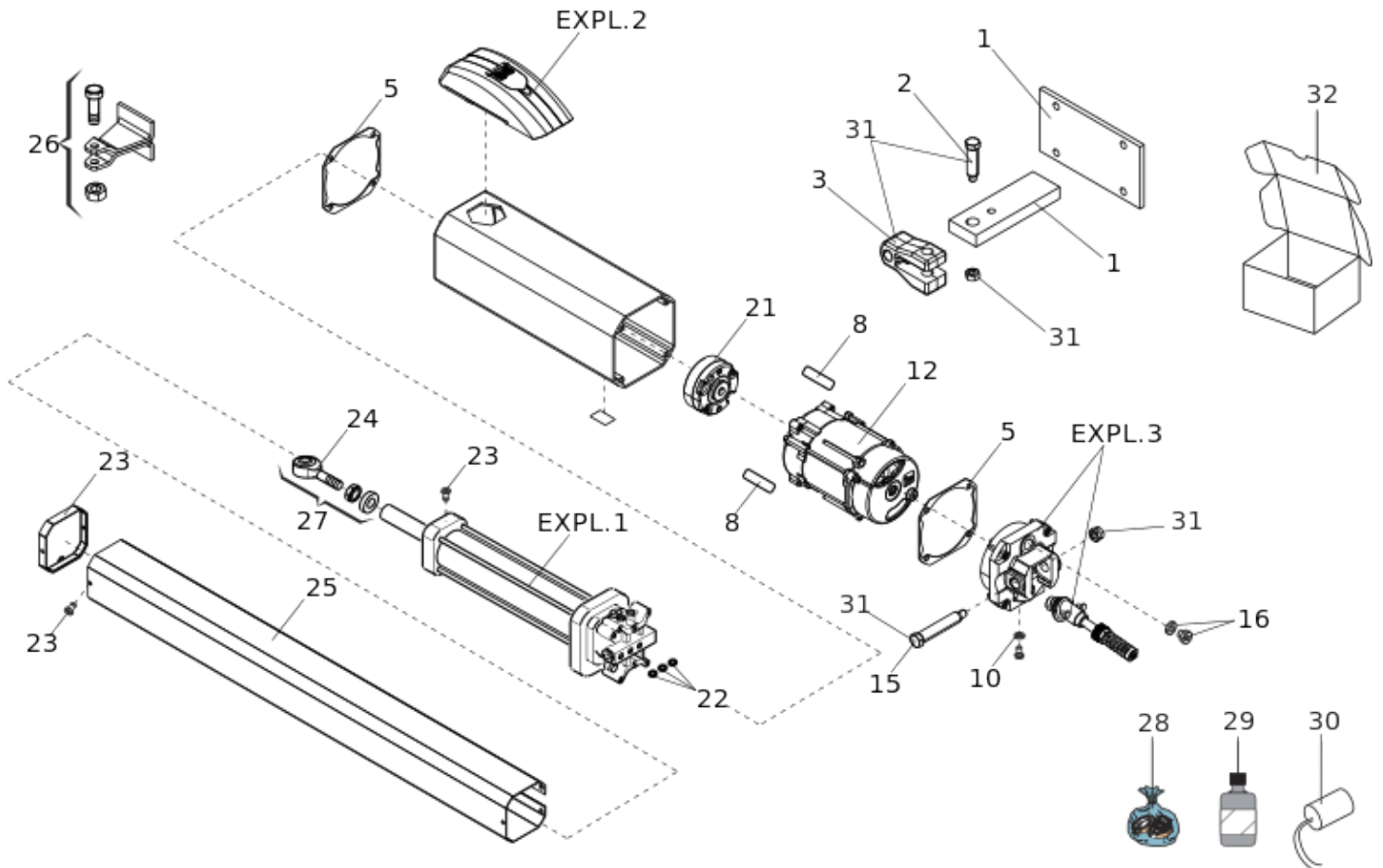


422 CBAC



Pos.	Code	EAN	Quantity	Replacement code	Description	Salable
1	72840065	8055195034561	1		PLATE AND REAR BRACKET	yes
2	7182075	8055195023527	1		SHORT PIN 400	yes
3	7228015	8055195024395	1		DIE-CAST REAR FORK	yes
5	70991015	8055195033953	2		GASKET FOR TANK 84,7 X 84,7 mm	yes
8	63003303	8055195057539	1		400/402/422 VIBRATION ISOLATION MOUNTING	yes
10	7094065	8055195022667	3		COPPER WASHER 7X4X1	yes
12	7700055	8055195025972	1		MOTOR 220V 4P. SINGLE PHASE WITH THERMAL	yes
15	7182175	8055195023558	1		LONG PIN 400-402	yes
16	7110015	8055195022995	1		CAP	yes

Pos.	Code	EAN	Quantity	Replacement code	Description	Salable
21	3204425	8055195015010	1		CAST IRON PUMP 1 LT WITHINTEGRATED DISTAN.	yes
22	7090010015	8055195040074	3		SEAL OR 4,48X1,78 (2018)	yes
23	63003304	8055195057546	1		402/422 COVER ACCESSORIES	yes
24	7073035	8055195022315	1		M10 JOINT	yes
25	7272125	8055195024722	1		SW.G.O.422 PROTECTIVE HOUSING	yes
26	7220515	8055195024081	1		SW.G.OPERATOR 422 FIXING BRAKET	yes
27	4900605	8055195015751	1		SW.G.O. 422 ARTICULATION PACKAGE	yes
28	490328	8055195051162	1		SEAL KIT 422 TYPE 2005	yes
29	714017	8055195010923	2		HYDRAULIC OIL FAAC HP OIL LT. 1	yes
30	7601351	8055195025941	1		CAPACITOR PP 8MF-400V WIRES UNIP.250MM	yes
31	4900645	8055195015768	1		ALLUMINIUM FORK KIT	yes
32	63000631	8055195060805	1		402/402/422/S450H PACKAGING (13 PCS.)	yes