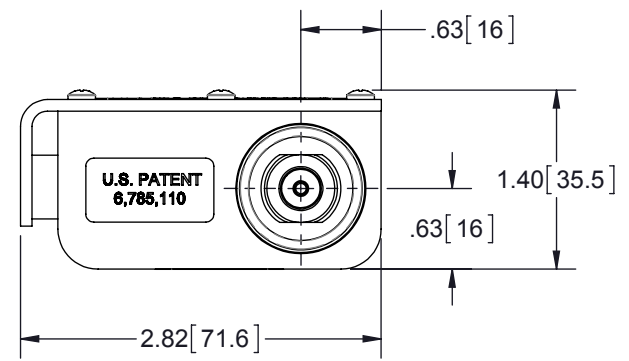
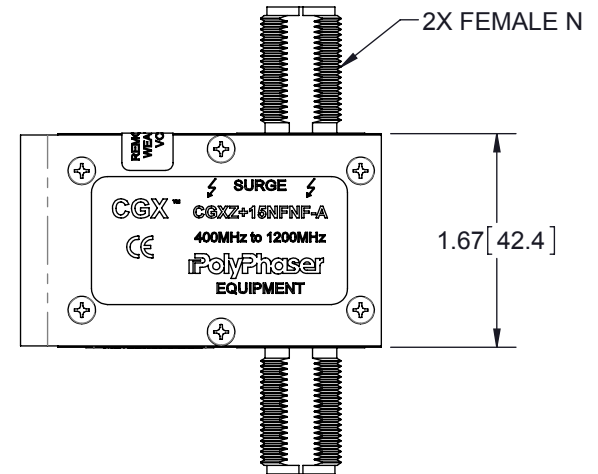
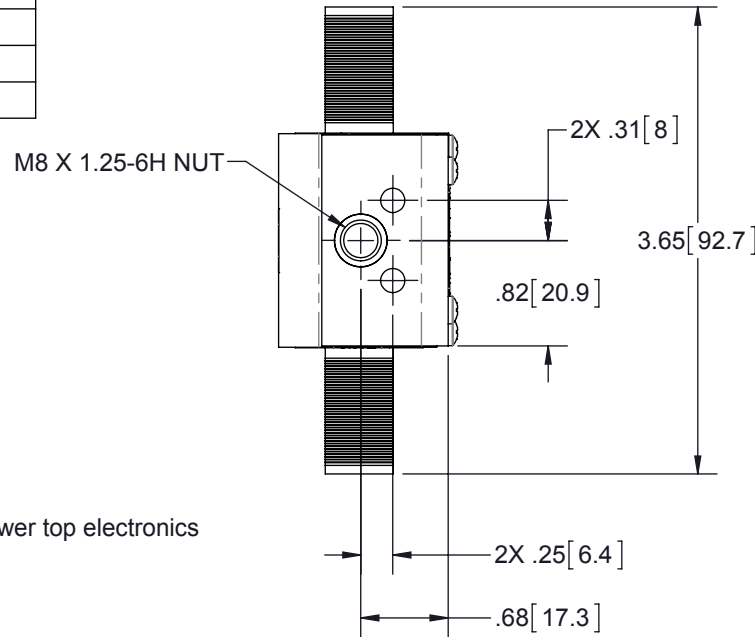


HARDWARE KIT INCLUDES:

QTY	DESCRIPTION
1	NUT 5/8-24 303 HEX SS
1	WASHER 5/8 410 SS
1	SILICONE O-RING 019
1	SCREW CAP M8X1.25X10MM
1	WASHER 5/16 EXT 18-8 SS

REVISIONS				
REV.	DESCRIPTION	ECN	DATE	APPROVED
D	REFER TO ECN	11974	8/29/13	KCB



MAXIMUM CHARACTERISTICS

Application:

Used where DC voltage is required to power tower top electronics
Weatherized Flange or Bulkhead Mount

Electrical Performance:

Frequency Range: 400MHz to 1200MHz
VSWR: ≤1.1:1 Over Frequency Range
Insertion Loss: ≤0.1dB Over Frequency Range
Power: 300Wrms Average
Turn On: +16.5Vdc
Turn On Time: 4ns For 2kV/ns
Max Surge: 20kA IEC 61000-4-5 8/20µs Waveform
Throughput Energy: ≤500µJ for 3kA @ 8/20µs Waveform
User Voltage: +15Vdc Max
Usage Current: ≤4.0A Continuous

Mechanical:

Dimensions: 3.65" x 2.82" x 1.40"
Weight: .5lbs

Environmental:

Meets IEC 60529 IP67
Meets Bellcore #TA-NWT-000487
Procedure 4.11, Wind Driven (120mph) Rain Intrusion Test.
Storage/Operating temperature: -50°C to +85°C
Relative Humidity: To 95%
CE Compliant
RoHS Compliant

CUSTOMER APPROVAL: _____ DATE: _____

ALL DIMENSIONS SHOWN ARE FOR REFERENCE ONLY.

<small>UNLESS OTHERWISE SPECIFIED LEADING DIMENSIONS ARE INCHES DIMENSIONS IN [] ARE MILLIMETERS</small> TOLERANCES: FRACTIONS=± 1/32 .XX=± .03 ANGLES=± 1° .XXX=± .010 <small>NOTICE: THE INFORMATION AND DESIGN IN THIS DOCUMENT IS THE PROPERTY OF POLYPHASER CORPORATION. ALL RIGHTS RESERVED.</small>	DRAWN SH 7/6/06 ENG APPD RCD 7/11/06 PRODUCT MGR KCB 7/6/06 MARKETING APPD GK 7/11/06 PROJECT NO.		SHEET 1 OF 1 SCALE 2:3
	DOCUMENT NAME CGXZ+15NFNF-A-C SIZE A CAGE 61114 PROD CAT RFP PART NUMBER CGXZ+15NFNF-A REV D		TITLE 400-1200MHZ BROADBAND CUSTOMER SPECIFICATION
	THIRD-ANGLE PROJECTION 		

THESE COMMODITIES, TECHNOLOGY OR SOFTWARE WERE EXPORTED FROM THE UNITED STATES IN ACCORDANCE WITH THE EXPORT ADMINISTRATION REGULATIONS. DIVERSION CONTRARY TO U.S. LAW PROHIBITED.