

PLI-12DC-10A



Features:

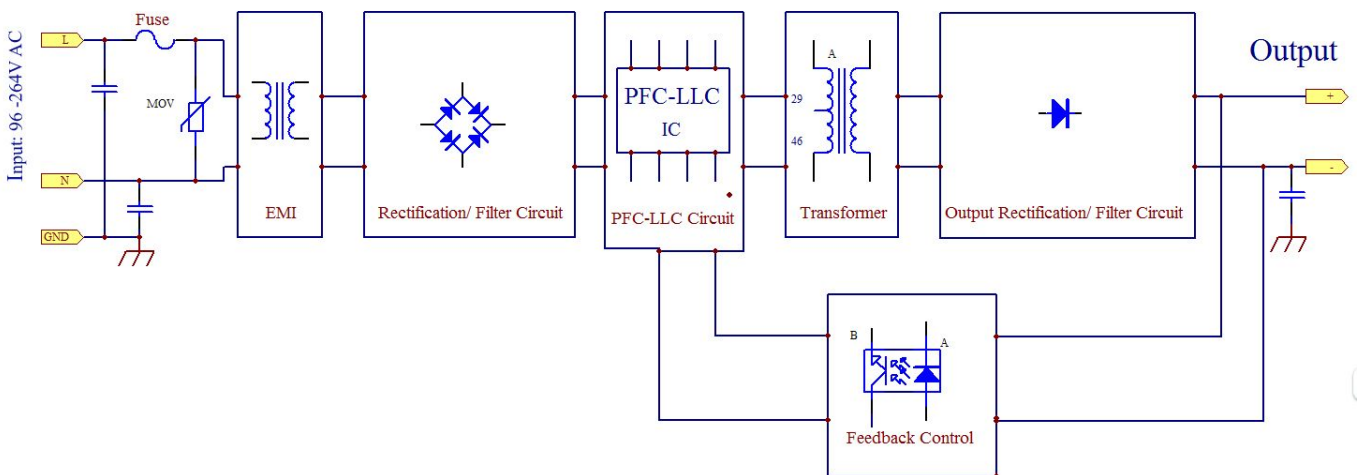
1. Universal AC input range: 96-264VAC
2. Protections: Short circuit /Overload /Over voltage/Over current/Overheat
3. Cooling by free air convection
4. LED indicator for power on, 100% full load burn-in test
5. All using 105 °C long life electrolytic capacitors
6. All using world famous brand new components
7. High efficiency, long service life, high reliability
8. Operating temperature: -30°C~70°C (40°C 100% full load burn-in test, 70°C 70% full load burn-in test)
9. Warranty period: 2 years

1. Specification:

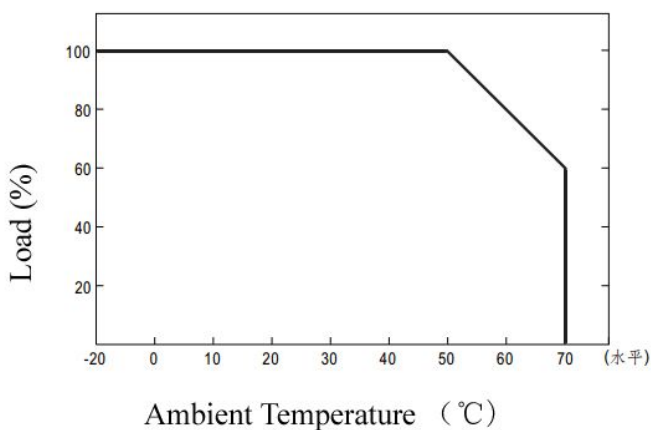
MODELS		PLI-12DC-10A
OUTPUT	DC VOLTAGE	12V
	RATED CURRENT	10A
	CURRENT RANGE	0-10A
	RATED POWER	120W
	VOLTAGE ADJ. RANGE	11-13
	VOLTAGE ADJ. RANGE	± 1%
	LINE REGULATION	± 1%
	LOAD REGULATION	± 1%
	RIPPLE & NOISE	≤ 120mVp-p
	SET-UP&HOLD UP TIME	Ton ≤ 1S, Td ≥ 20mS@230V
INPUT	VOLTAGE RANGE	96-264V
	AC CURRENT (Typ.)	< 5A
	FREQUENCY RANGE	47----63Hz
	EFFICIENCY (Typ.)	≥ 85%
	LEAKAGE CURRENT	< 2mA
	SURGE PROTECTION	30A/240V
PROTECTION	OVERLOAD	120---150%

	OVER VOLTAGE	105-150%(rated output power)
	SHORTED CIRCUIT	Cut off output voltage, recover automatically when faults removed
ENVIRONMENT	OPERATING TEMP.	-20-----70°C (Refer to "Derating Curve")
	OPERATION HUM.	20%---90% RH non-condensing
	STORAGE TEMP.&HUM.	-20-----85°C 20%---95% RH
SAFETY & EMC	SAFETY STANDARDS	IEC/EN/UL/CSA 60950 GB4943
	WITHSTAND VOLTAGE	I/P-O/P:1.5KV, I/P-FG:1.5KV, O/P-FG0.5KVAC 30S
	EMC Immunity & Emission	EN61000-4-2,3,4,5,6,8,11; EN61000-3-2,3; EN55022 CLASS B
OTHERS	DIMENSION (L*W*H mm)	199*98*38*mm
	PACKAGING	

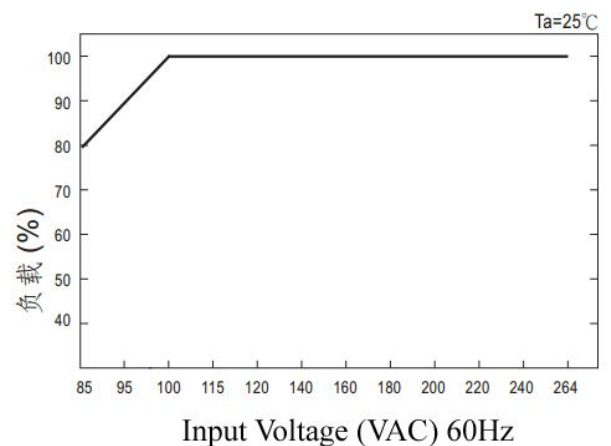
2. Block Diagram:



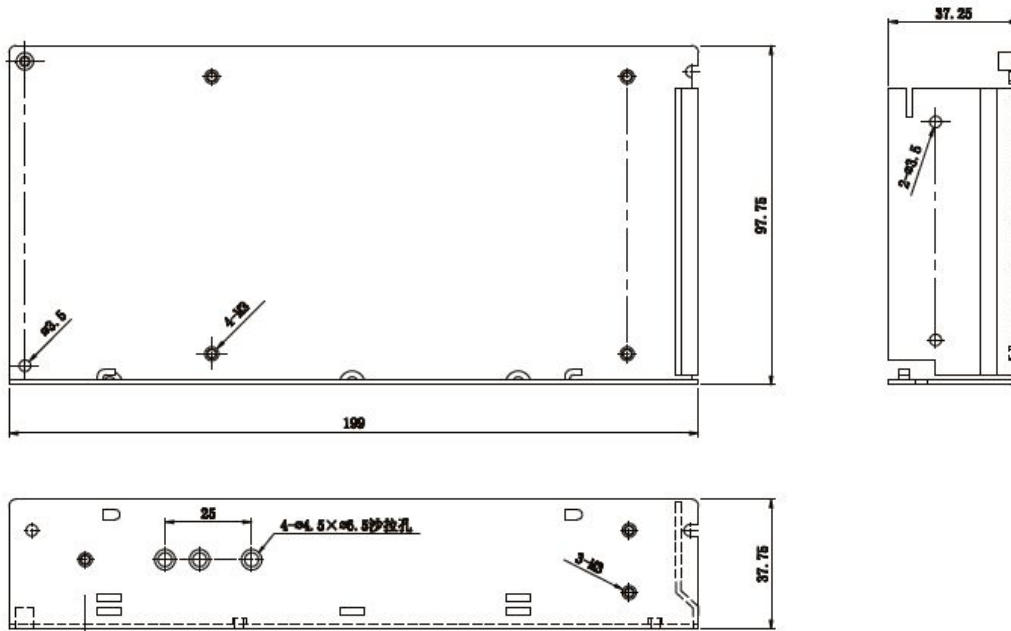
3. Curves: Derating Curve



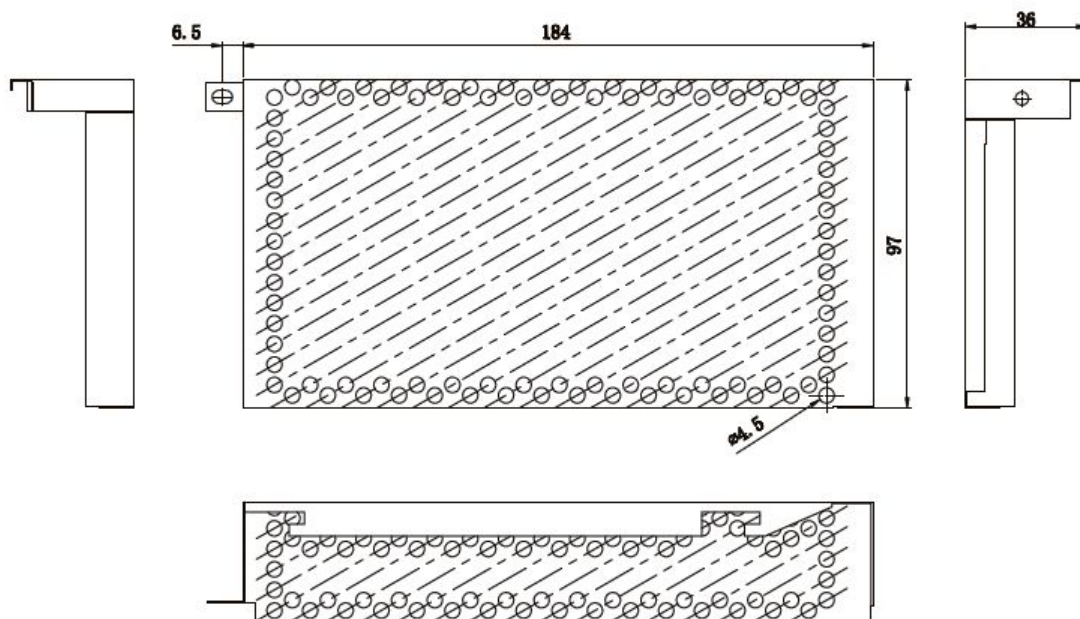
Static Characteristics



4. Product Size:

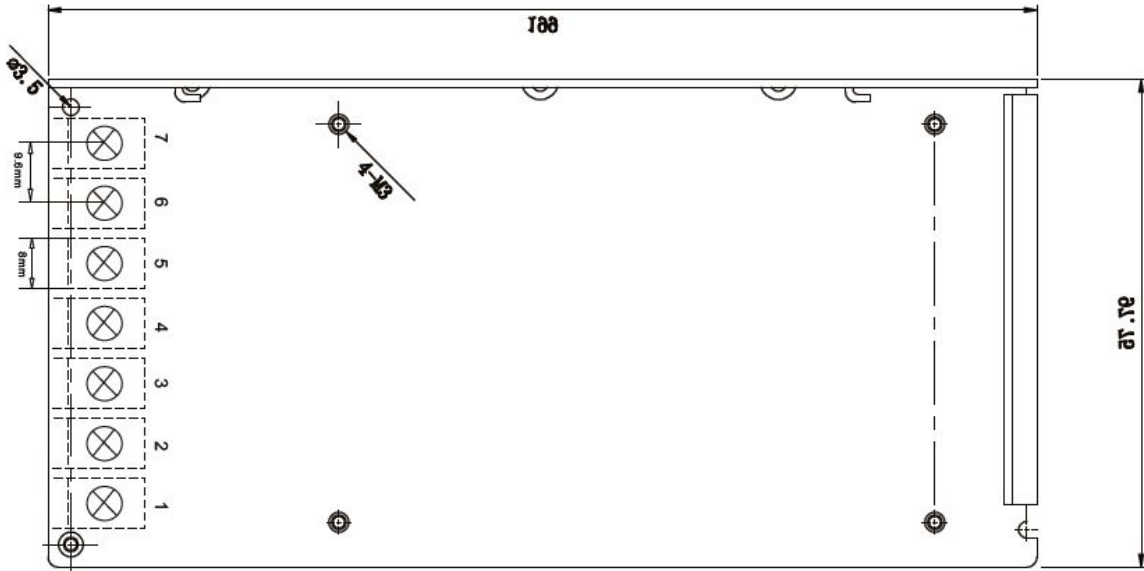


Under Cover



Upper Cover

5. Mechanical Specification:



Terminal Pin No. Assignment

Pin No.	Assignment	Pin No.	Assignment
1	AC/L	4.5	DC Output -V
2	AC/N	6.7	DC Output +V
3	G/COM		