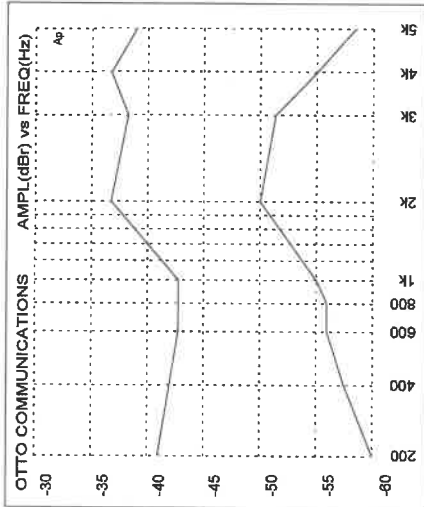
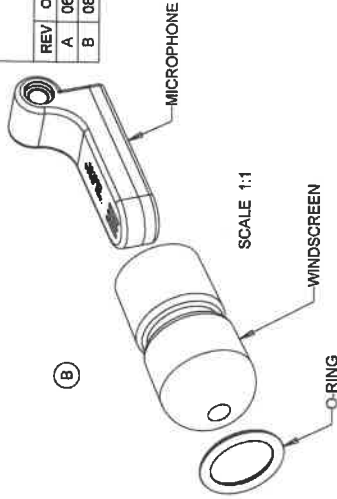
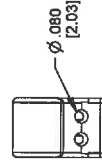
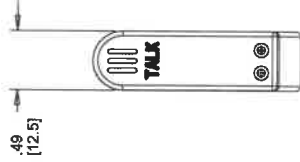


C101922

REV	CON #	DATE	APR
A	065645	24 APR 12	MR/W
B	066040	11 APR 17	EJS



FREQUENCY (Hz)	LOW LIMIT (dB(A))	HIGH LIMIT (dB(A))
200	-60	-41
400	-57	-42
600	-56	-43
800	-56	-43
1000	-55	-43
2000	-50	-37
3000	-52	-38
4000	-55	-37
5000	-58	-39



- NOTES:
- THIS PART/PRODUCT IS TO BE MANUFACTURED WITH THE APPLICABLE REGULATIONS OF EC DIRECTIVES 2002/95/EC AND 2002/96/EC. RESTRICTION OF THE USE OF HAZARDOUS SUBSTANCES IN ELECTRICAL AND ELECTRONIC EQUIPMENT (ROHS) AND WASTE ELECTRICAL AND ELECTRONIC EQUIPMENT (WEEE).
  - MICROPHONE, WINDSCREEN AND O-RING TO BE PACKED IN A CLEAR PLASTIC BAG WITH LABEL ON THE BAG.
  - DIMENSIONS ARE IN INCH [MM].

PARAMETER	UNITS	MIN	TYP	MAX
ELECTRICAL SPECIFICATIONS				
MICROPHONE @84 dB SPL @ 1KHz, 5VDC, 2.2K LOAD				
TYPE		NOISE CANCELING ELECTRET		
MIC ASSEMBLY SENSITIVITY	dB	-55	-49	-43
CURRENT DRAIN	µA			500
FREQUENCY RANGE	Hz	100		10000
VOLTAGE	V	1.2		20
ELEMENT CAPACITANCE	pF			100
MECHANICAL SPECIFICATIONS				
COLOR		BLACK		
ENVIRONMENTAL SPECIFICATIONS				
OPERATING TEMP.	°C	-30		+75
STORAGE TEMP.	°C	-40		+85
PROCEDURE PER MIL-STD-810F				
RELATIVE HUMIDITY (NON-CONDENSING)	%	0		100
DUST		510.4 PROCEDURE III		
TEMPERATURE SHOCK		503.4 PROCEDURE I		
LOW TEMPERATURE		502.4 PROCEDURE I AND II, (CLIMATE C-1)		
HIGH TEMPERATURE		501.4 PROCEDURE I AND II, (CLIMATE A2)		



SCHMATIC

KEY CHARACTERISTICS SPECIAL REQUIREMENTS

**OTTO**  
CARPENTERSVILLE, ILLINOIS USA

THIS DOCUMENT IS THE CONFIDENTIAL PROPERTY OF OTTO ENGINEERING, INC. IT IS NOT TO BE USED IN ANY WAY DETRIMENTAL TO THE INTERESTS OF OTTO ENGINEERING, INC.

UNLESS OTHERWISE SPECIFIED: DIMENSIONS ARE IN INCHES. TOLERANCES ARE AS LISTED. SURFACES ARE TO BE MICROFINCH AND SHARP EDGES.

DESCRIPTION		V4, MICROPHONE ASSEMBLY, N/C COMPLETE HD HDST	
DRWN. EJS	SIZE	FSOM NO	DRAWING NO.
CHKD. EJS	B	21649	C101922
APPD. MRL	MRL		
WT.			
			Scale 1:1
			Sheet 1 OF 1