

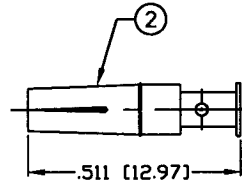
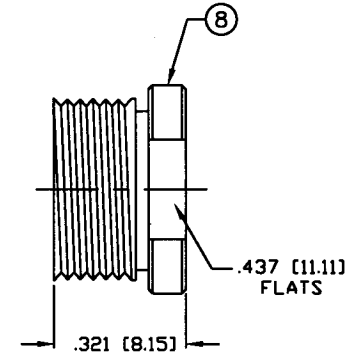
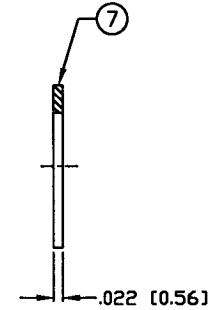
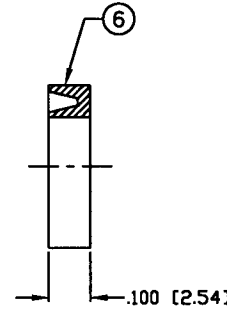
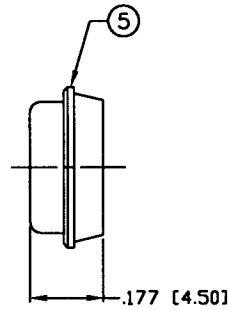
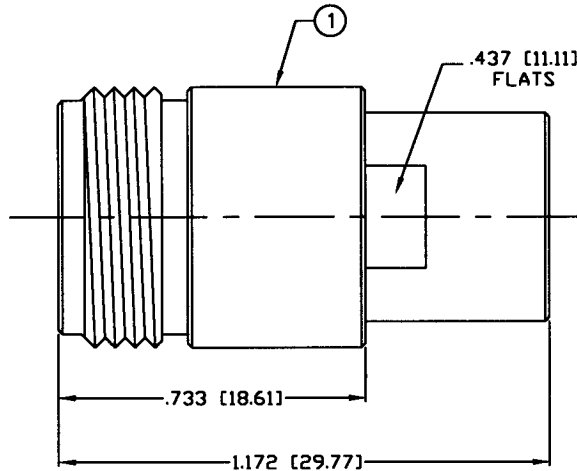
THIS DRAWING CONTAINS INFORMATION PROPRIETARY TO RF INDUSTRIES.
 ANY UNAUTHORIZED USE OF THIS DRAWING IS EXPRESSLY PROHIBITED
 WITHOUT WRITTEN PERMISSION FROM RF INDUSTRIES.
 ANY VIOLATION IS PUNISHABLE UNDER U.S. COPYRIGHT LAWS.

ALL DIMENSIONS ARE REFERENCE ONLY

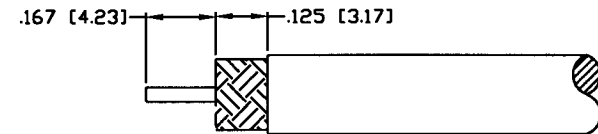
PART NO.

RFN-1026-1X

REV	DESCRIPTION	DWN	DATE	APPROVED
A4	ADD CLAMP DIMENSIONS	KMM	10/5/92	J. BENZ
B	ADD DIELECTRIC AND PRESS FIT SLEEVE DIMS	KMM	12/8/94	R. RICE
C	ADD WRENCH DIMENSIONS TO BACK NUT #8	KMM	9/18/97	R. RICE
D	CHANGE SPECS, FORMAT & DWG # 7741	GGG	3/7/02	JDMc



RECOMMENDED CRIMP DIE: .068



RECOMMENDED STRIPPING DIMENSIONS

SPECIFICATIONS:

IMPEDANCE: 50 Ohms
 FREQUENCY RANGE: 0-11 GHz
 VSWR: 1.3 Max.
 INSERTION LOSS: .06 dB Max. $X\sqrt{fGHz}$
 WORKING VOLTAGE: 1k V rms @ sea level
 TEMPERATURE RANGE: -65°C TO 85°C
 INSULATION RESISTANCE: 5k M Ohms min.
 FOR RG-8/X, BELDEN 9258, MAXRAD MBX-100 &
 MBX-1000, MICRO 8/U, REMEE 1600, SAXTON 8315 &
 TIMES LMR-240 & LMR-240 ULTRAFLEX CABLE

1	BODY	1	BRASS	SILVER, 80 μ "	000713	
2	CONTACT	1	BRASS	GOLD, 3 μ "		
3	DIELECTRIC	1	PTFE	---		
4	GROUND RING	1	BRASS	SILVER, 80 μ "		
5	CLAMP	1	BRASS	SILVER, 80 μ "		
6	GASKET	1	RUBBER	---		
7	WASHER	1	BRASS	SILVER, 80 μ "		
8	BACK NUT	1	BRASS	SILVER, 80 μ "		
9						
10						
11						
12						
13						
14						
#	DESCRIPTION	QTY	MATRL	FINISH	APPROVALS	DATE

UNLESS OTHERWISE SPECIFIED:

1. REMOVE ALL BURRS
2. BREAK ALL CORNERS & EDGES .005 R. MAX.
3. CHAMFER 1ST & LAST THREADS 45°
4. SURFACE ROUGHNESS 63 FINISH MIL-STD-10
5. DIAMETERS ON COMMON CENTERS TO BE CONCENTRIC WITHIN .002 T.I.R.
6. ALL DIMENSIONS ARE AFTER PLATING.

DIMENSIONS ARE IN INCHES AND [MILLIMETERS]

UNLESS OTHERWISE NOTED TOLERANCES ARE:

DECIMALS	DIAMETER
.xxx±.003 [.08]	.xxx±.001 [.03]
.xx±.005 [.13]	.xx±.003 [.08]

RF connectors
 DIVISION OF RF INDUSTRIES, LTD.

7610 MIRAMAR RD
 SAN DIEGO, CA 92126
 (858) 549-6340
 (858) 549-6345 FAX

N JACK CLAMP

SIZE A	CABLE GROUP X	DWG NO. RFN-1026-1X	REV D
SCALE: NTS		CAD FILE OUTLINE	SHEET 1 OF 1