

Car Camera XMRC6AHD



Main Features

Low illumination night vision, driving at night without any interference

Audio band-pass filter, reduce vibration noise of vehicle engine and frame

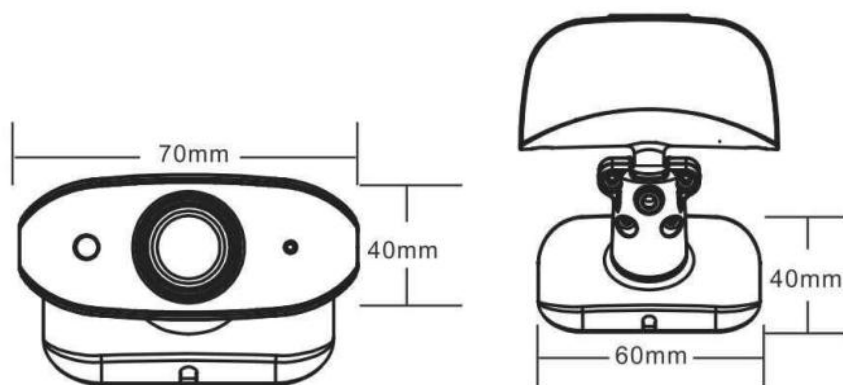
Easy to install, according to automotive glass arc angle adjustment, to maintain the original appearance of the car

Aerospace titanium alloy material shell design, light weight, good heat dissipation

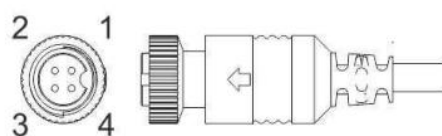
Specification

Resolution	720P
CMOS	1/3" 1.3M pixels CMOS
Resolution	1280H*720V
Minimum illumination	0 Lux (IR on)
Synchronizing system	Internal Synchronization
Scanning system	2:1 interlaced
S/N	≥50dB (AGC off)
Lens	2.3mm
Electronic shutter	Auto
White balance mode	Auto
Color to black	Auto
Gamma Correction	0.45
Audio	Yes (Support band-pass filter)
Video output	AHD coaxial HD standard, 4-pin DIN JACK
IR	6 IR LEDs
Power	12V DC±10%
Consumption(Max.)	120m A/DC 12V (IR on)
Working temperature	-40°C ~ 70°C

Dimension (Unit: mm)



Video Output



Aviation RS765-4(Female)

1---12VDC(+) 3---AUDIO
2---12GND(-) 4---VIDEO

DIN JACK Connector

Solution Reference

2.3mm

