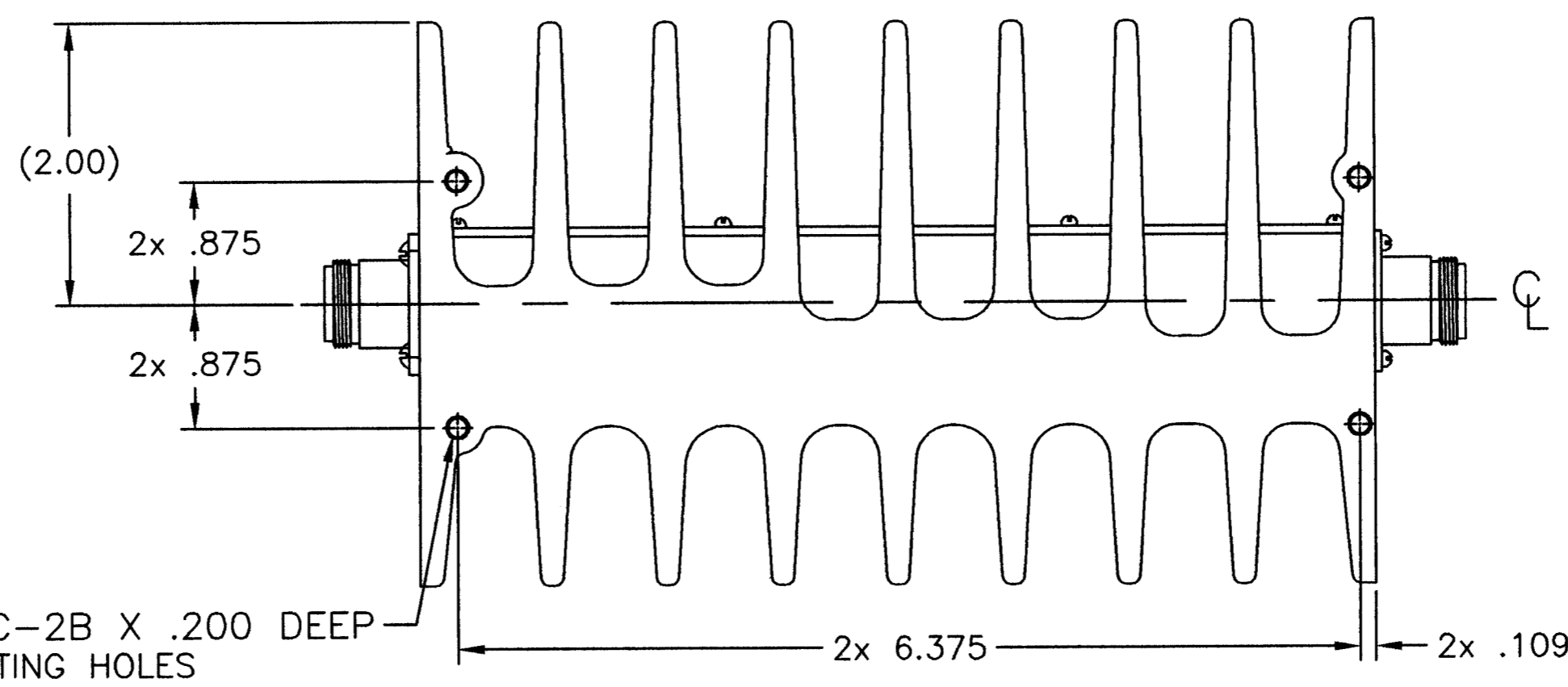
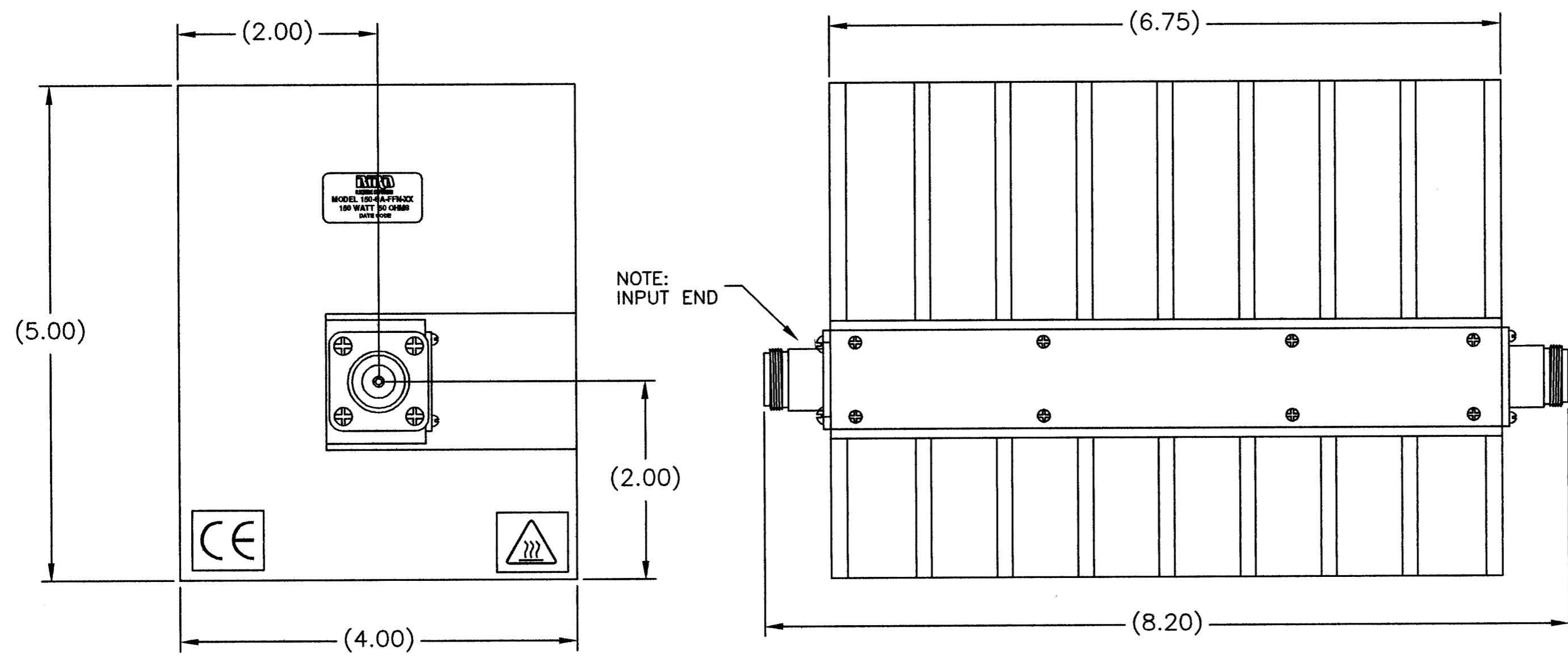


REVISIONS		DWG. NO.	150-SA-FFN-XX	SHEET	REV
ZONE	REV	DESCRIPTION	DATE	APPROVED	
	A	RELEASED TO PRODUCTION	12-14-98	<i>mm</i>	



IMPEDANCE: 50 OHMS NOMINAL
 FREQUENCY RANGE: DC TO 2.4GHz
 VSWR: DC TO 1GHz AT 1.10:1 MAX.
 1GHz TO 2.4GHz AT 1.25:1 MAX.
 POWER RATING: 150 WATTS MAX. @ 40°C.
 180 WATTS MAX. @ 25°C.
 COOLING FIN: ALUMINUM, BLACK ANODIZED
 HEAT SPREADER: ALUMINUM, TRI-ALLOY PLATED
 CONNECTORS: N-TYPE FEMALE, TRI-ALLOY PLATED
 OPERATING POSITION: VERTICALLY
 NOMINAL SIZE: APPROX. 8.20" L. X 5.00" H X 4.00" W
 WEIGHT: APPROX. 5.5 LBS.

4x 8-32UNC-2B X .200 DEEP MOUNTING HOLES

DIMENSIONS HEREON ARE FOR CUSTOMER CONVENIENCE AND REFERENCE ONLY. TOLERANCE TO BE APPLIED ONLY WHERE INDIVIDUALLY STATED ON THE RESPECTIVE DIMENSION. -DO NOT SCALE DRAWING-

XX = DASH NUMBER

-30	30	±0.8 dB	±1.3 dB
-20	20	±0.5 dB	±1.0 dB
-10	10	±0.4 dB	±0.8 dB
-06	6	±0.4 dB	±0.6 dB
-03	3	±0.3 dB	±0.5 dB
-02	2	±0.3 dB	±0.5 dB
-01	1	±0.3 dB	±0.5 dB
DASH NO.	dB ATTEN.	DC - 1GHz ATTENUATOR	1 - 2.4GHz ACCURACY ±dB

- NOTES:
- ☒ 1. PART MUST BE BURR FREE.
 - ☒ 2. CHAMFER 1st THREAD.
 - ☒ 3. 63 MICRINCH UNLESS OTHERWISE SPECIFIED.
 - ☐ 4. PER BPS
 - ☒ 5. .005 RADIUS ON ALL INSIDE & OUTSIDE CORNERS UNLESS OTHERWISE SPECIFIED.

UNLESS OTHERWISE SPECIFIED DIMENSIONS ARE IN INCHES TOLERANCES ARE:		MILLIMETERS .X = ±.4 .XX = ±.12		THIS DRAWING IS THE PROPERTY OF THE BIRD ELECTRONIC CORPORATION. THE DESIGNS AND SPECIFICATIONS DISCLOSED HEREON ARE PROPRIETARY AND SHALL NOT BE REPRODUCED, NOR COPIED, NOR USED AS THE BASIS FOR THE MANUFACTURE OR SALE OF APPARATUS OR DEVICES WITHOUT THEIR EXPRESS WRITTEN CONSENT.	 BIRD Electronic Corporation Cleveland (Solon) Ohio USA
FRACTIONS	DECIMALS	ANGLES	DATE		
± 1/64	.XXX = ±.010 .XXX = ±.005	± 30'	11-8-02		
DO NOT SCALE DRAWING			TITLE		
MATERIAL	APPROVALS	DATE	ATTENUATOR, N-TYPE FEMALE/FEMALE, 150W		
FINISH	DRAWN	D.M.RINK	CHECKED	SIZE	FSCM NO.
	APPROVED	<i>mm</i>	1-13-03	C	70998
	SCALE	1:1	COMM CODE	AT1	DWG. NO.
					150-SA-FFN-XX
					REV
					A
					SHEET
					1 OF 1