

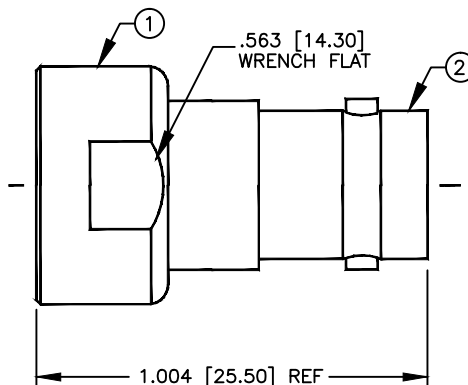
# SPECIFICATION CONTROL DRAWING

THIS DRAWING CONTAINS INFORMATION PROPRIETARY TO RF INDUSTRIES, LTD. ANY UNAUTHORIZED USE OF THIS DRAWING IS EXPRESSLY PROHIBITED. ANY VIOLATION IS PUNISHABLE UNDER U.S. COPYRIGHT LAWS.

REV	DESCRIPTION	DWN	DATE	APPROVED
A	ENGINEERING RELEASE	SS	10/7/88	-
B	UPDATE DRAWING	CZS	1/12/98	R. RICE

ALL DIMENSIONS ARE REFERENCE ONLY

008974



## SPECIFICATIONS:

IMPEDANCE: 50 OHMS  
 WORKING VOLTAGE: 500 VRMS @ SEA LEVEL  
 FREQUENCY RANGE: 0-4 GHz  
 INSERTION LOSS:  $\leq$  -.2 dB  
 VSWR MAX: 1.4:1

DIMENSIONS ARE IN INCHES  
 AND [MILLIMETERS]  
 UNLESS OTHERWISE NOTED  
 TOLERANCES ARE:  
 DECIMALS      DIAMETER



7610 MIRAMAR RD  
 SAN DIEGO, CA 92126  
 (619)549-6340  
 (619)549-6345 FAX

## PT-4000-010

UNIDAPT TO BNC FEMALE

ITEM	DESCRIPTION	QTY	MATERIAL	FINISH
4	DIELECTRIC	1	PTFE	NONE
3	CONTACT	1	PHOS BRONZE	GOLD
2	BNC BODY	1	BRASS	SILVER
1	BODY	1	BRASS	SILVER

DRAWN C. ZUNIGA	1/12/98
CHECKED	
ORJ DRAWN S. SMITH	10/7/88
APPROVALS	DATE

SIZE A	CABLE GROUP N/A	DWG NO. 8845	REV B
SCALE: NTS		CAD FILE	SHEET 1 OF 1